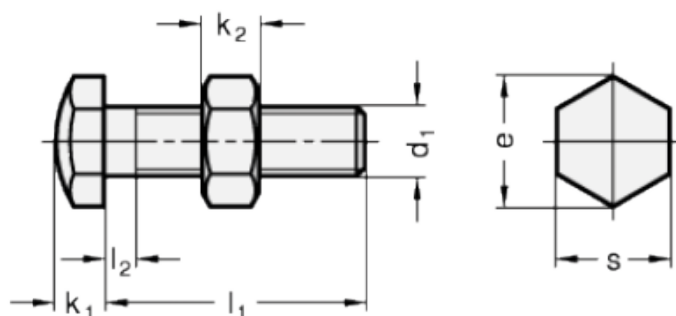


Article number: 20251M640AK

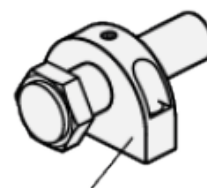
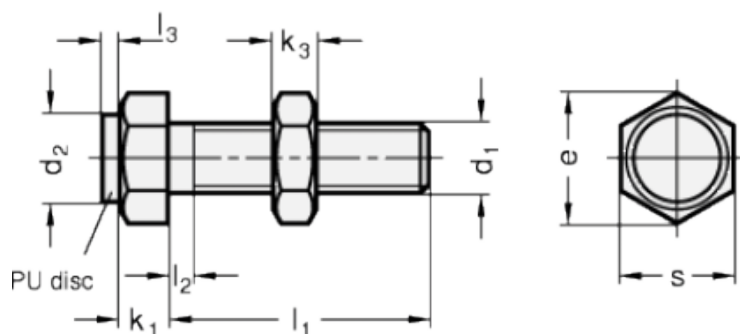
Description: E+G Setting bolt GN 251-M6-40-AK
with nut

Measures

Type AK



Type BK



Mounting block GN 412.1

d	= M6	s = 10
e	= 11.5	
K	= -	
k1	= 4	
k2	= 5	
l1	= 40	
l2 max.	= 3	
l3	= -	